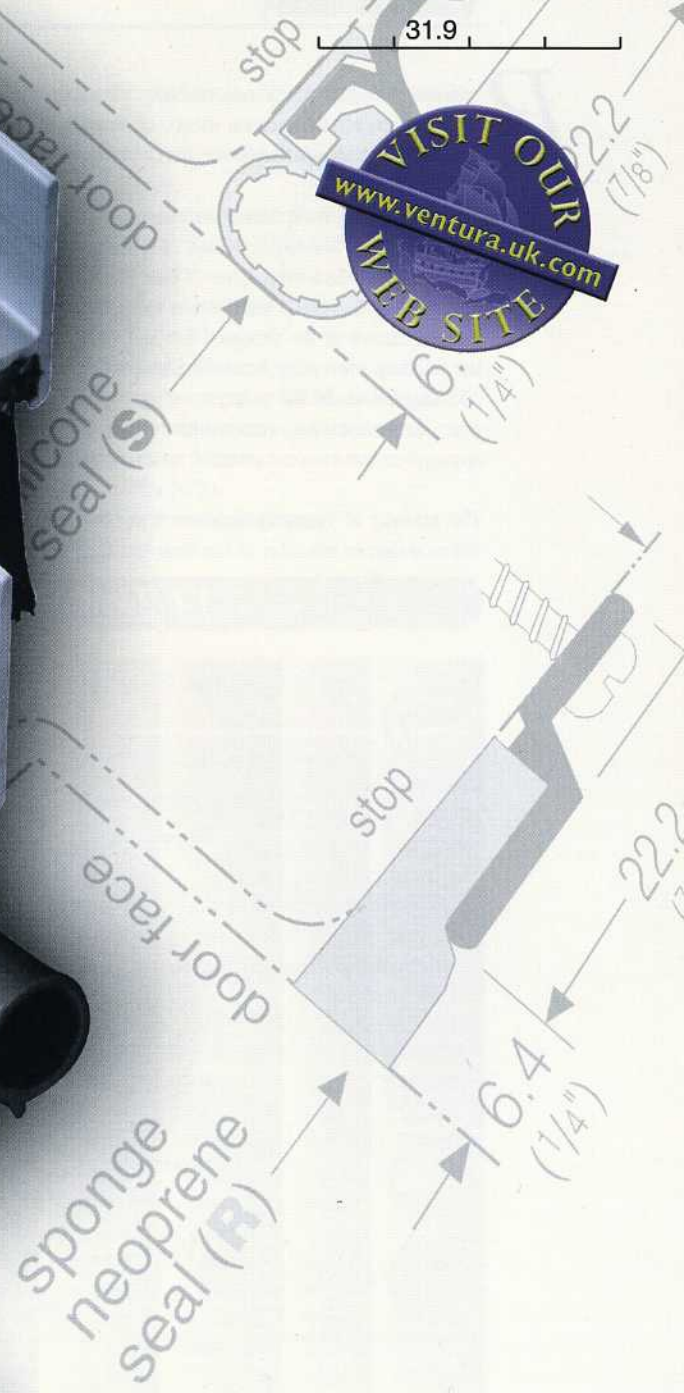


CI/SfB

31.9



Perimeter and Meeting Stile Seals

Perimeters around doors and meeting stile gaps on pairs of double doors are the greatest source of draught, dust, heat loss and noise intrusion in today's modern building.

Simple and often inexpensive seals can provide easily fitted and cost effective solutions which can recover the cost of installation within a short space of time in energy costs saved in heating bills. In several installations the weather seal is also an integral feature of the designed fire and smoke control within the building preventing smoke infiltration around the building and 'air feed' to the fire source.

note: designated fire compartment doors will also contain appropriate intumescent material to satisfy the fire rating.

The majority of Ventura's seals are designed for surface fixing either at time of assembly of the door and frame or as easy to fit 'retro' installation as part of an energy conservation programme or simply to 'make good' distortion of warped doors.

Seals such as the V5041AP are designed for OEM application during manufacture of the door and frame set. This seal can also be retro fitted on site by removing door and routing jamb and head edges of door.

Meeting stile / Astragal seals may be either bulb, blade or brush seal. Most seals are provided with slotted holes to allow for adjustment. Astragal seal V355 should only be fitted to doors where a door selector is fitted to ensure proper closing sequence for the seal.

Ventura offer a range of seals suitable for residential / light commercial applications through to heavy duty commercial seals including thermal and acoustic applications. The following chart will assist in selection.

Seal Reference	Type	Seal Type	Application	Duty	Door Type	Gap	Stock sizes	Finish
Ventura Universal V2000	Blade*	Black PVC	Perimeter	Residential/ Economy industrial	Timber	up to 3.5mm	1.00m & 2.00m	White plastic
V292PWW	Bulb*	Vinyl	Perimeter	Residential	Timber	up to 7.5mm	1.00m & 2.10m	White painted
V292PAV	Bulb*	Vinyl	Perimeter	Residential	Timber	up to 7.5mm	1.00m & 2.10m	Silver painted
V292PGV	Bulb*	Vinyl	Perimeter	Residential	Timber	up to 7.5mm	1.00m & 2.10m	Gold painted
V292PDV	Bulb*	Vinyl	Perimeter	Residential	Timber	up to 7.5mm	1.00m & 2.10m	Bronze painted
V299PWW	Bulb*	Vinyl	Perimeter	Residential	Timber	up to 7.5mm	1.00m & 2.10m	White painted
V299PAV	Bulb*	Vinyl	Perimeter	Residential	Timber	up to 7.5mm	1.00m & 2.10m	Silver painted
V299PGV	Bulb*	Vinyl	Perimeter	Residential	Timber	up to 7.5mm	1.00m & 2.10m	Gold painted
V299PDV	Bulb*	Vinyl	Perimeter	Residential	Timber	up to 7.5mm	1.00m & 2.10m	Bronze painted
V290 AS	Bulb	Silicone	Perimeter	Heavy	Timber or Steel	up to 6mm	1.00m & 2.10m	Aluminium
V303 AS	Bulb	Silicone	Jamb or Astragal	Light/ medium	Timber or Steel	up to 6mm	1.00m & 2.10m	Aluminium
V305 CN	Blade	Neoprene	Astragal	Medium	Timber or Steel	up to 12mm	1.00m & 2.10m	Anodised Aluminium
V309 AP	Brush	Soft pile	Perimeter	Light/ medium	Timber or Steel	up to 6mm	1.00m & 2.10m	Silver or Bronze Aluminium
V309 DP	Brush	Soft pile	Perimeter	Light/ medium	Timber or Steel	up to 6mm	1.00m & 2.10m	Aluminium
V312 CR	Rubber	Sponge Neoprene	Perimeter	Medium	Timber or Steel	up to 6mm	1.00m & 2.10m	Anodised Aluminium
V316 AS	Bulb	Silicone	Jamb or Astragal	Light/ medium	Timber or Steel	up to 6mm	1.00m & 2.10m	Silver or gold Aluminium
V316 GS	Bulb	Silicone	Astragal	Light/ medium	Timber or Steel	up to 6mm	1.00m & 2.10m	Aluminium
V350 CSR	Rubber	Sponge Neoprene	Perimeter	Ultra Heavy	Timber or Steel	up to 8mm	1.00m & 2.10m	Anodised Aluminium
V355 CS	Bulb	Silicone	Astragal	Medium/ Heavy	Timber or Steel	up to 6mm	1.00m & 2.10m	Silver Anodised
V355 CP	Brush	Soft pile	Astragal	Medium/ Heavy	Timber or Steel	up to 6mm	1.00m & 2.10m	Silver Anodised
V5041 AP	Brush	Brush pile	OEM-	Medium/ Heavy	Timber	up to 8mm	1.00m & 2.10m	Aluminium
V5061 AP	Brush	Brush pile	Mortice	Heavy	Timber	up to 14mm	1.00m & 2.10m	Holder
V18041 CP	Brush	Brush pile	Astragal	Medium/ Heavy	Timber or Steel	up to 8mm	1.00m & 2.10m	Silver Anodised
V18041 GP	Brush	Brush pile	Astragal	Medium/ Heavy	Timber or Steel	up to 8mm	1.00m & 2.10m	Gold Anodised
V18061 CP	Brush	Brush pile	Astragal	Medium/ Heavy	Timber or Steel	up to 13mm	1.00m & 2.10m	Silver Anodised
V18061 DP	Brush	Brush pile	Astragal	Medium/ Heavy	Timber or Steel	up to 13mm	1.00m & 2.10m	Bronze Anodised
V29310 CS	Bulb	Silicone	Jamb or Astragal	Medium/ Heavy	Timber or Steel	up to 4mm	1.00m & 2.10m	Anodised Aluminium

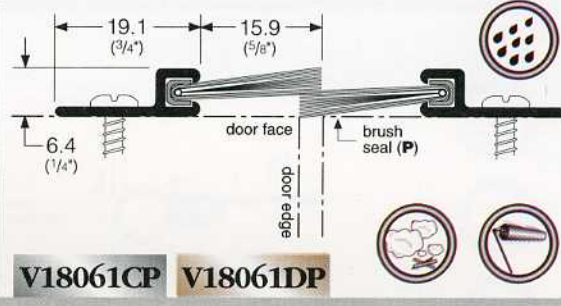
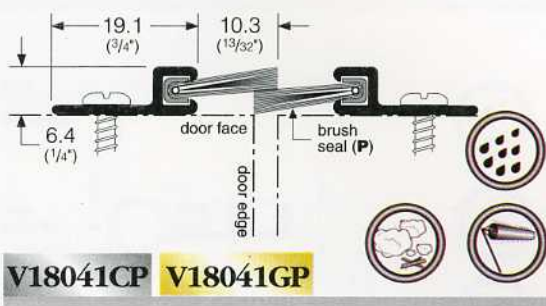
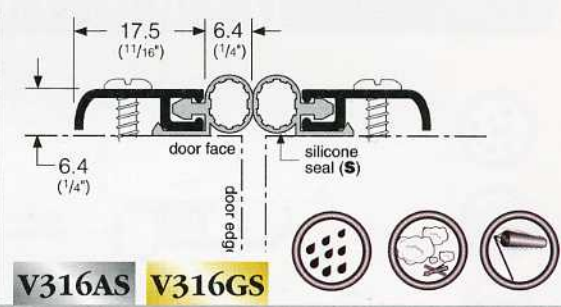
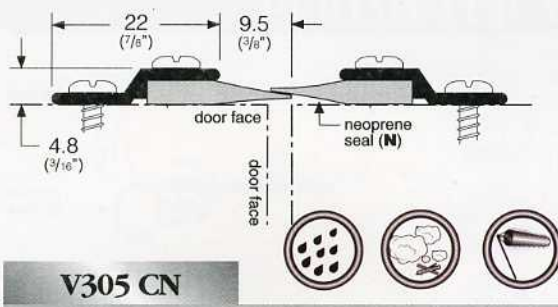
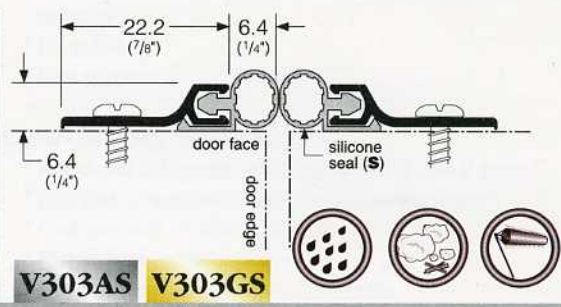
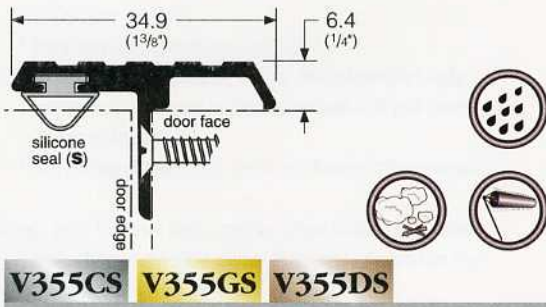
Notes:

Most Ventura Seal inserts are replaceable in the event of wear or damage except *Budget/economy seals which are produced with fixed or integrally moulded bulb or blade seal.

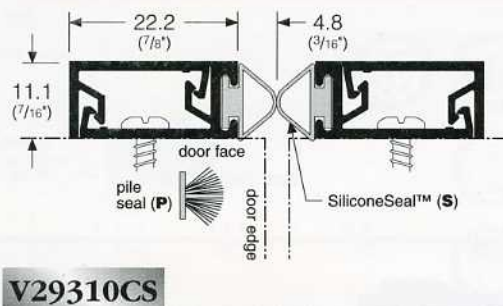
For doors and frames subjected to impact damage from sackbarrows, service trolleys and small motorised service buggies, a solid body Ultra Heavy Duty seal - V2891 AS with silicone seal or V2891 AP with brush seal - is available to special order. Contact Ventura's Technical Department for further information.

ASTRAGAL/MEETING STILE WEATHERSEAL

- Astragals/meeting stiles on double doors often present problems because of complex conditions and requirements. Ventura offers some simple and inexpensive solutions as well as more detailed ones. Each job should be carefully studied as to the specific requirements when selecting the appropriate seal. Note that some astragals consist of two parts, one for each door, and should be ordered double length.



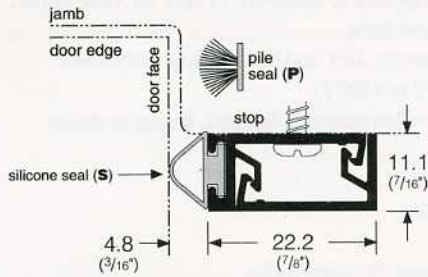
SPLIT ASTRAGALS WITH SNAP COVERS



- Snap covering helps prevent vandalism and adds an attractive finished look by concealing the fasteners.

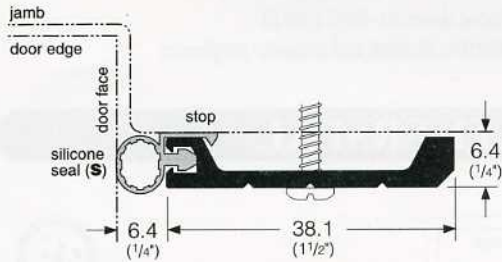
Note: Order double length for double meeting stile doors.

RIGID WEATHERSEAL - Snap Cover Type



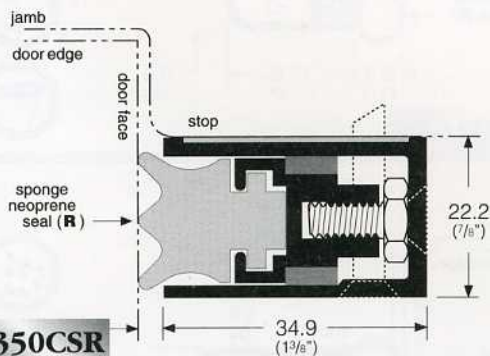
V29310CS

- Low-profile snap cover conceals mounting screws to provide security and a clean aesthetic appearance.



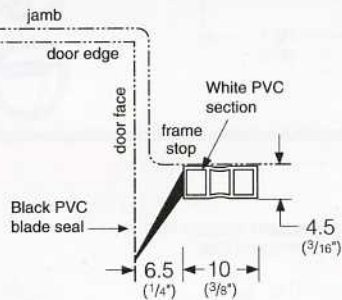
V290AS

- Heavy duty. Suitable for jambs liable to impact from wire trolleys.

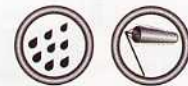


V350CSR

- Extra heavy duty 'screw' adjustable weatherseal.
- Suitable for acoustic or thermal doors.



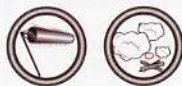
V2000 Universal



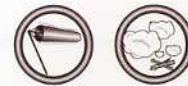
MORTICE WEATHERSEAL



V5041AP



V5061AP



Seal characteristics:

Silicone: Ventura high grade silicone bulb seals offer

- * End use temperature range of -34°C to +93°C (-30°F to +200°F)
- * Flexible to -73°C and resilient above +200°C (-100°F to +400°F)
- * Excellent compression recovery
- * Unaffected by sunlight, ozone and ultraviolet light
- * Impervious to fungi and mildew and will not deteriorate under normal use
- * Self extinguishing and nontoxic fumes when burnt

* Excellent resistance to infiltration of light, air, dust, smoke, wind, rain and snow

* Flexible down to -40°C and has a melting point above 200°C (-40°F to +400°F)

* Conforms well to irregular, distorted, flexing or sliding surfaces

* UV stabilised

* Cost effective

Brush pile: Ventura high quality nylon brush seals offer

- * Densely compressed nylon filaments encased in high quality aluminium retainer

Closed Cell Sponge Neoprene offers

* Soft closed cell sponge neoprene to R6130 class II grade C

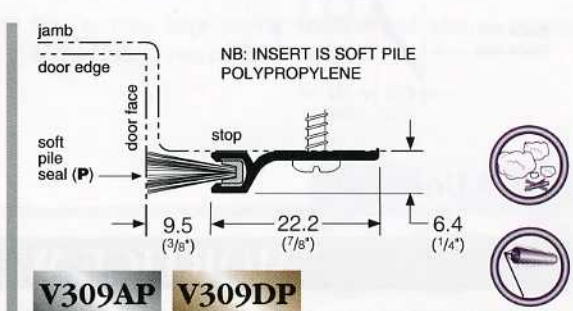
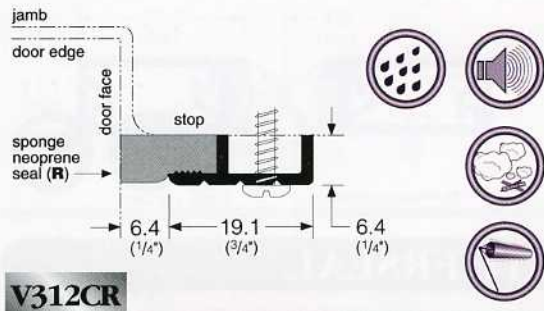
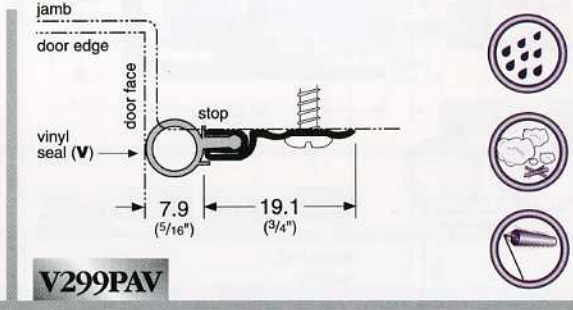
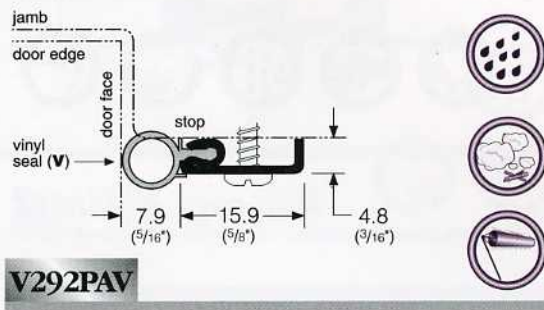
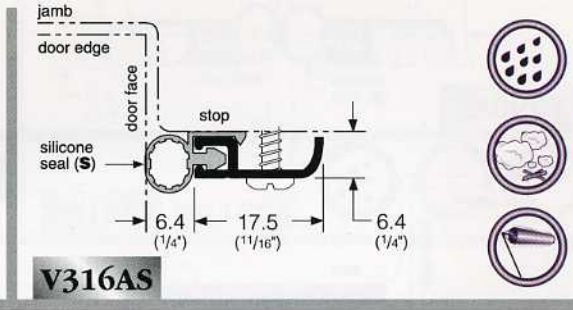
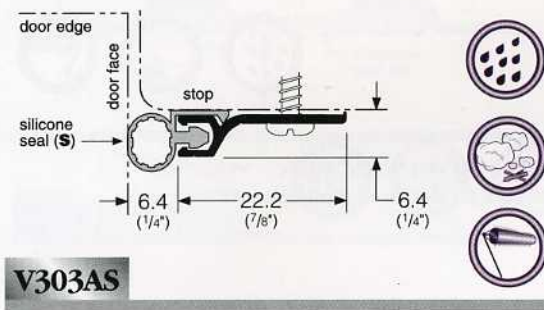
* Excellent compression and recovery characteristics

* Conforms well to uneven surfaces

* Pliable down to -56°C (-70°F)

* Effective thermal and acoustic properties

PERIMETER WEATHERSEAL



Note: A range of commercial brush pile seals are illustrated in our separate 'Brush Weatherseal' catalogue.



Pampisford, Cambridge CB2 4EW
Telephone: (01223) 837007 • Fax: (01223) 837215
E-mail: info@ventura.uk.com • www.ventura.uk.com
Ventura is a Division of the Dixon International Group Ltd