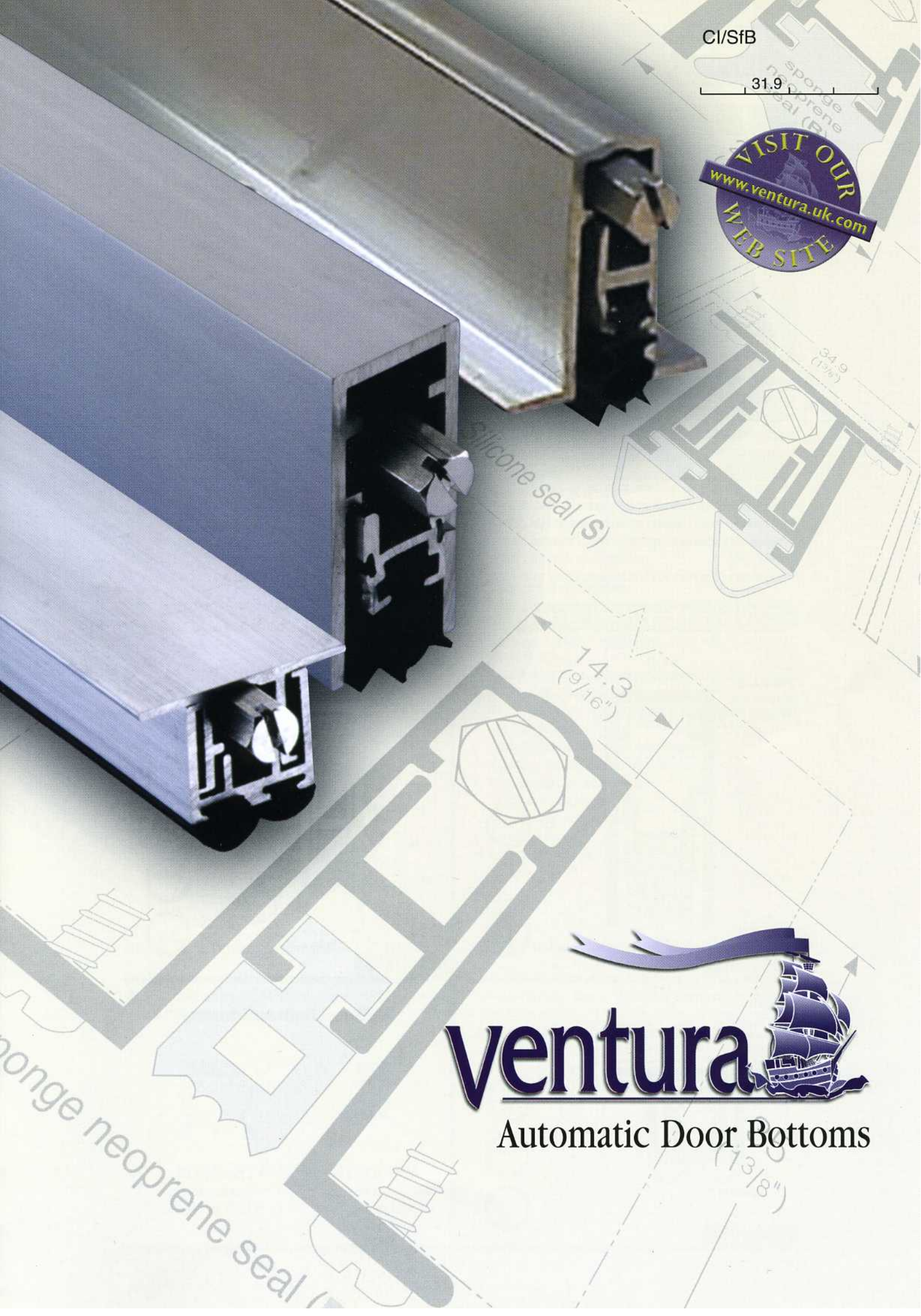


CI/SfB

31.9



ventura



Automatic Door Bottoms

AUTOMATIC DOOR BOTTOMS

Model	Application	Fitting	Door Type	Handed	Gap Seal	Seal Type *	Stock sizes(s) **
V4301 CRL	Heavy Duty	Surface or semi morticed	Timber or steel	No	up to 19mm	Sponge neoprene	838 / 915 1000mm / 1200mm
V434 ARL	Heavy Duty	Full mortice only	Timber or steel	No	up to 19mm	Sponge neoprene	838 / 915 1000mm / 1200mm
V4131 CRL	Medium Commercial	Surface or semi morticed	Timber or steel	No	up to 19mm	Sponge neoprene	838 / 915 / 1000mm
V411 ARL	Medium Commercial	Full mortice only	Timber or steel	No	up to 19mm	Sponge neoprene	838 / 915 1000mm / 1200mm
V420 ASL	Medium Commercial	Full mortice only	Steel only	No	up to 13mm	Silicone bulb	1000mm

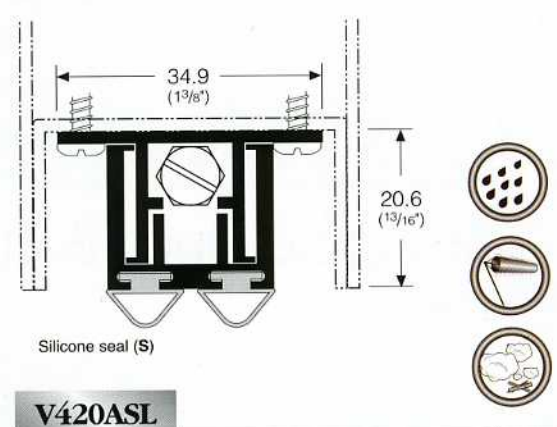
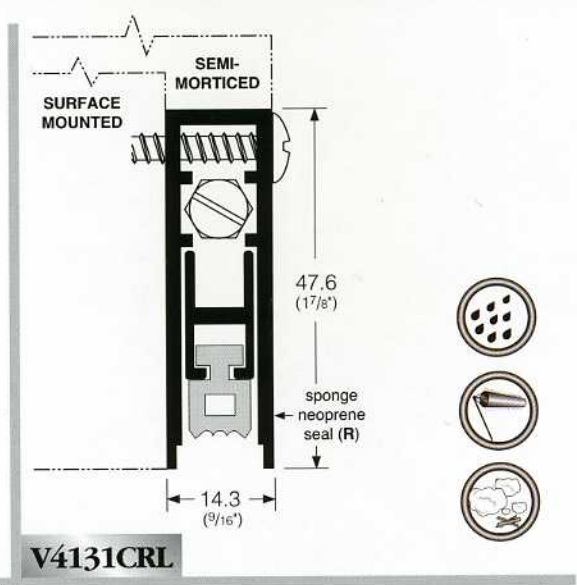
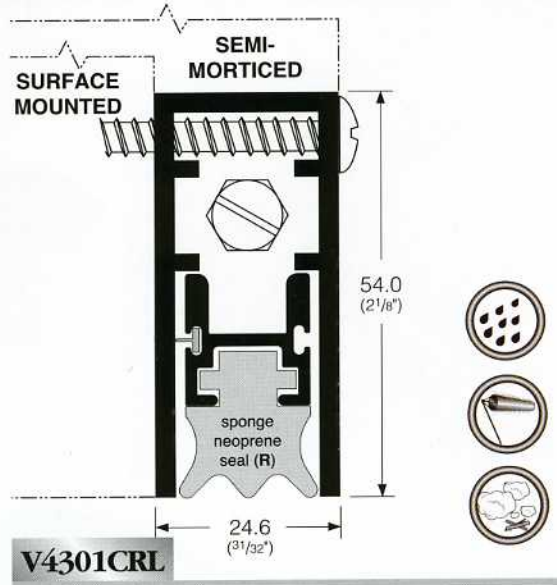
Notes: * Seal type; tri-ribbed sponge neoprene (R) is supplied as standard and is suitable for most smooth thresholds including aluminium, brass, timber, polished stone or marble conglomerate. For uneven surfaces such as soft riven stone, hollow bulb tri-finned neoprene may be supplied upon request. Substitute PK in place of R in the product code. For very irregular or carpeted surfaces such as in conference room dividing doors, the use of nylon brush seal should be used. Substitute NB (nylon brush) in place of R in the product code. All models (except V420) are available with brush seal produced to order only.

** Stock sizes :The sizes stocked are suitable for most regularly

produced door sizes. All models may be site trimmed by up to 125mm to suit actual door and frame width. Non standard sizes from 457 to 1828mm are available against special order. Contact Ventura's Technical Office for advice and information.

Automatic Door Bottoms may also be fitted to GRP and similar composition doors providing suitable and adequate bottom rail provision is allowed for in the door construction. Specialist OEM and custom made door manufacturers are recommended to discuss their requirements with our Technical design staff. Light duty residential models - VSA 2, VSA 3 bulb seal type and V405 sprung sweep blade type are available from our domestic range of door weather seals.

Non-Handed Surface & Semi-Mortice Models



Optional Bulb Seal Inserts

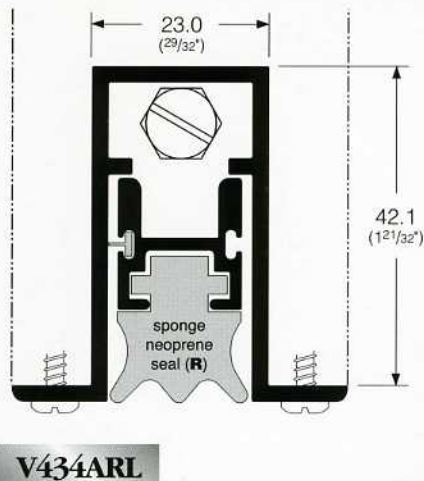


VPK4131BL
suitable for
V4131 & V411

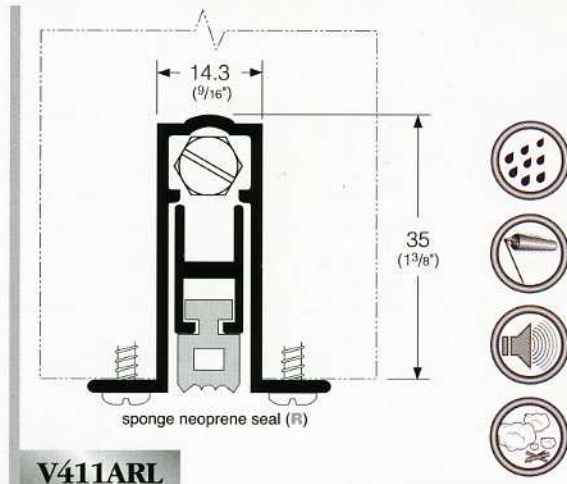


VPK4301BL
suitable for
V4301 & V434

Non-Handed Full-Mortice Models



V434ARL



V411ARL

LOW CLOSING FORCE MODELS

Smooth action positive seal mechanism


All Ventura automatic door bottoms consist of an aluminium case which surrounds a movable drop bar seal. The drop bar seal is actuated by a plunger which contacts the jamb as the door is closing, forcing the drop bar to seal against the floor or threshold.

This simple but effective mechanism includes the following features:

- Drop bar actuation at multiple compression points along the seal length
- Low closing force actuation so as not to conflict with lock latch or door closer operation. Code L in product reference
- Progressive drop actuation from the hinge side first preventing door 'skid' or 'judder' during closing cycle
- Stock models are non handed
- Installation is quick and easy and the clean symmetrical case provides even flush mounting or morticing
- Easy mechanism adjustment for effective seal operation
- Suitable for timber, steel or composite doors
- Easily trimmed on site to suit exact door and frame size. (Stock models may be trimmed as much as 125mm)
- Available in non standard sizes from 457 mm to 1828 mm to special order.

- A range of seals to suit virtually any surface. Standard tri-ribbed soft closed cell neoprene (R) seal remains pliable down to minus 56 deg°C (minus 70 deg°F). Bulb (PK) and Brush (NB) seals also available.

Recommended applications

- All applications requiring exclusion of draught, dust, moisture, fumes, smoke, insects, light and sound.
- All exterior doors to shops, commercial offices, banks and public buildings.
- Hotel/Motel interconnecting doors, Consulting rooms, Surgeries, Boardrooms, Management Offices.
- Factory/shopfloor engineering tool rooms, plant/boiler/lift and pump rooms.
- Clean room, interlock doors and laboratories.
- Computer and electrical control rooms
- Photographic and dark rooms
- Arts/Theatre, drama studios
- Sports rooms and gymnasium
- Cool/chiller rooms
- Suitable for use with Accessibility thresholds 

Finishes: All stock models are aluminium finish. Gold anodised and dark bronze anodised finishes are available to order.

- When ordering, please specify if the automatic door bottom is for a semi-mortice application so that shorter screws can be provided. End plates are provided to protect the mechanism and to give a clean aesthetic appearance.



Pampisford, Cambridge CB2 4EW
Telephone: (01223) 837007 • Fax: (01223) 837215
E-mail: info@ventura.uk.com • www.ventura.uk.com
Ventura is a Division of the Dixon International Group Ltd