

Intumescent Fire & Smoke Seals



LORIENT FIRE & SMOKE SEALS

Fire & smoke seals for door assemblies

INTRODUCTION

Doors must have gaps between the leaves and the frame and between the bottom of the door and the floor. These gaps allow the door to operate; however, they also allow the passage of smoke and fire.

A Lorient sealing system provides a working, effective and attractive solution.

INTUMESCENT SEALS

An intumescent seal fitted to the top and sides of a door will, in the event of a fire, expand and seal the gaps around the door to provide an effective barrier to fire and hot gases.

COLD SMOKE SEALS

Smoke travels further than the fire itself and also travels at a much higher speed. These characteristics are the main causes of casualties and property damage. Effective smoke seals provide protection all around the door, including the threshold. As well as providing a permanent barrier to the smoke, they will also provide useful thermal or acoustic insulation.

SODIUM SILICATE INTUMESCENT

The intumescent material used in Lorient seals is sodium silicate based. This type of material has been proven in many hundreds of tests world-wide. It exhibits outstanding reliability and durability and, when exposed to fire, it remains stable at temperatures in the region of 1,000°C.

FINISHES

Lorient seals are available in a wide range of standard colours as well as attractive woodgrain and metallic finishes. If a specific finish or colour is required for your project, Lorient has the technical ability and resources to produce it, even in relatively small quantities.

TEST EVIDENCE

All Lorient fire and smoke seals have been tested in accordance with BS 476 Pts 20/22 and Pt 31.1 on a complete range of fire door configurations; single leaf, double leaf, single acting, double acting, latched and unlatched. Smoke seals have also been tested for acoustic performance in accordance with BS EN ISO 140-3:1995.

SELECTION FROM PRODUCT RANGE

Lorient offers a choice of fire seal only and combined fire and smoke seal profiles. For optimum acoustic, smoke and fire protection, the DS or Finesse™ seal is always recommended. Other profiles also available:



Offered in standard sizes of 10 x 4mm, 15 x 4mm, 20 x 4mm and 25 x 4mm. Other sizes available.

SMOKE & ACOUSTIC SEALS

Where fire doors have an intumescent sealing system providing protection against fire and hot gases, smoke seals can be retrofitted to provide protection against cold smoke and noise pollution.



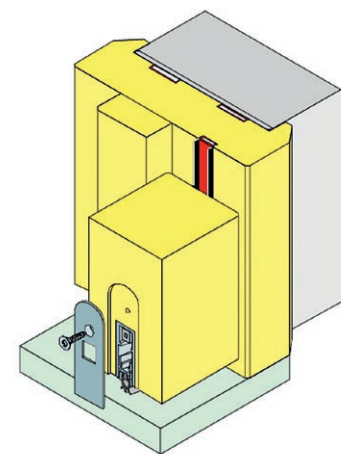
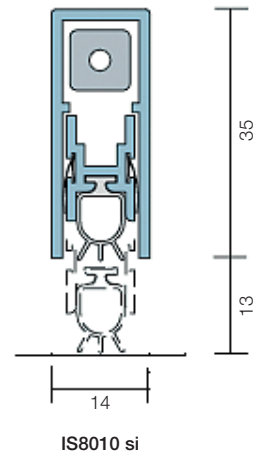
Batwing®



Firtree®

The Lorient Batwing® has long set the standard for smoke and acoustic containment for door assemblies. But now, with the new Curved Fin Batwing®, Lorient have proved that the best can be made even better! Its distinctive straight fins have now been re-engineered into a subtle curved design, providing easier operation, and increased durability while retaining all the smoke and acoustic benefits of the original Lorient Batwing®.

THRESHOLD SEALS (Door Bottom)



LP1504DS with IS8010 si

Lorient can also supply a range of seals to provide protection against cold smoke transferring to an adjacent compartment at the threshold.

Threshold seals are also available for effective acoustic containment.

THIRD PARTY ACCREDITATION

Lorient fire and smoke seals are British Board of Agrément and CERTIFIRE approved (CF330/CF136) for use on timber-based fire door assemblies.